

DS-7604NI-Q1 (D) NVR

Key Feature

- Up to 4-ch IP camera inputs
- H.265+/H.265/H.264+/H.264 video formats
- Up to 1-ch@8 MP/3-ch@4 MP/6-ch@1080p decoding capacity
- Up to 40 Mbps incoming bandwidth



Professional and Reliability

- H.265+ compression effectively reduces the storage space by up to 75%

HD Video Output

- Provide simultaneous HDMI and VGA outputs
- HDMI video output at up to 4K resolution

Storage and Playback

- 1 SATA interface for HDD connection (up to 8 TB capacity per HDD)
- Smart search/smart playback to improve the playback efficiency

Smart Function

- 1-ch Motion Detection 2.0
- Support multiple VCA (Video Content Analytics) events
- Configurable special camera smart functions, such as VCA detection (motion, line crossing, intrusion, etc.)

Network & Ethernet Access

- 1 self-adaptive 10/100 Mbps Ethernet interface
- Hik-Connect for easy network management

▪ Specification

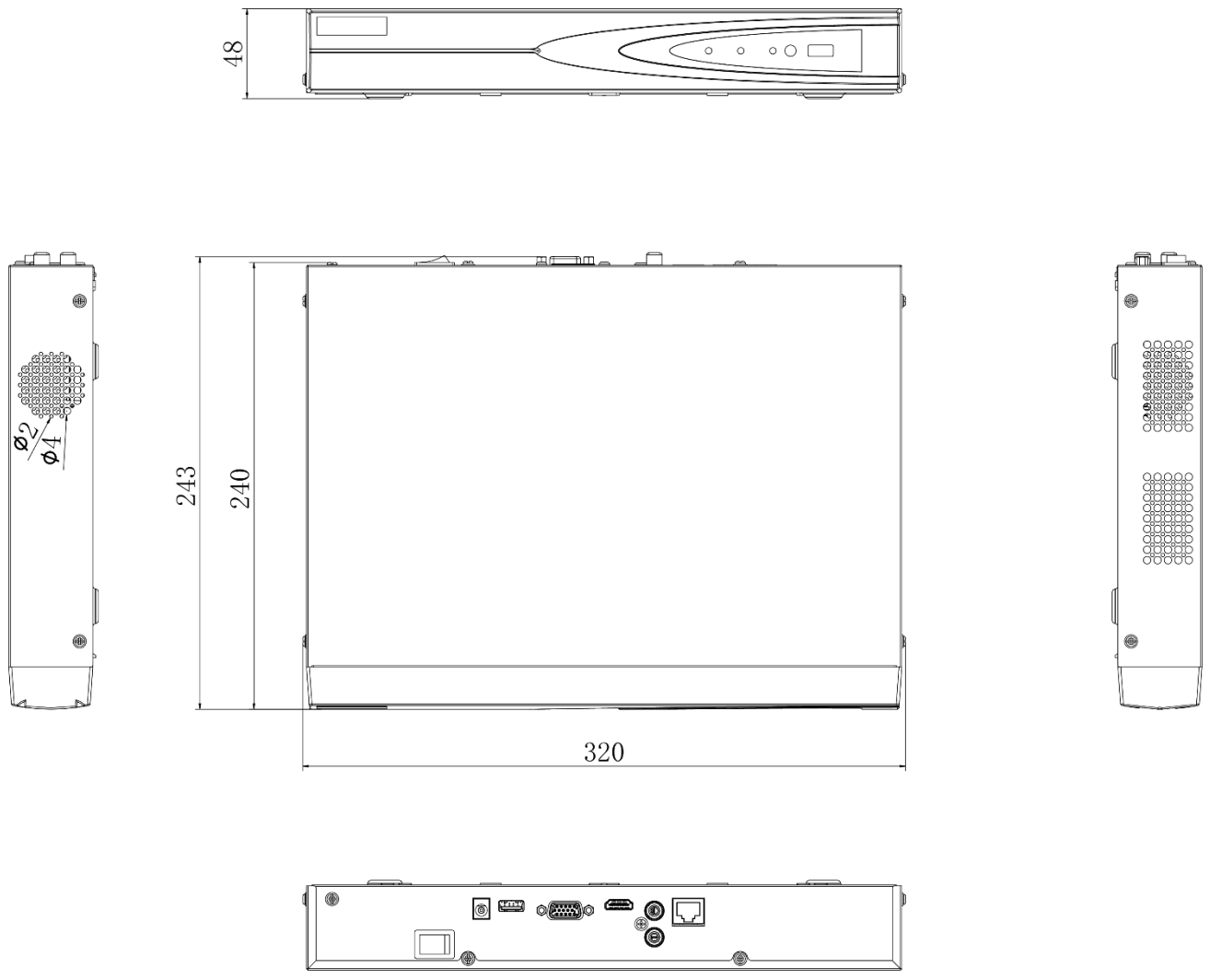
| Motion Detection 2.0 | |
|-----------------------------|---|
| Human/Vehicle Analysis | 1-ch |
| Video and Audio | |
| IP Video Input | 4-ch |
| Incoming Bandwidth | 40 Mbps |
| Outgoing Bandwidth | 80 Mbps |
| HDMI Output | 1-ch, 4K (4096 x 2160)/30 Hz, 4K (3840 x 2160)/30 Hz, 2K (2560 x 1440)/60 Hz, 1920 x 1080/60 Hz, 1600 x 1200/60 Hz, 1280 x 1024/60 Hz, 1280 x 720/60 Hz |
| VGA Output | 1-ch, 1920 x 1080/60 Hz, 1280 x 1024/60 Hz, 1280 x 720/60 Hz |
| Video Output Mode | HDMI/VGA simultaneous output |
| Audio Output | 1-ch, RCA (Linear, 1 K Ω) |
| Two-Way Audio | 1-ch, RCA (2.0 Vp-p, 1k Ω) |
| Decoding | |
| Decoding Format | H.265+/H.265/H.264+/H.264 |
| Recording Resolution | 8 MP/6 MP/5 MP/4 MP/3 MP/1080p/UXGA/ 720p/VGA/4CIF/DCIF/2CIF/CIF/QCIF |
| Synchronous playback | 4-ch |
| Decoding Capability | 1-ch@8 MP (30 fps)/3-ch@4 MP (30 fps)/6-ch@1080p (30 fps) *: The length or width of camera resolution (each track) cannot exceed 4096 pixels. |
| Stream Type | Video, Video & Audio |
| Audio Compression | G.711ulaw/G.711alaw/G.722/G.726 |
| Network | |
| Remote Connection | 32 |
| Network Protocol | TCP/IP, DHCP, IPv4, IPv6, DNS, DDNS, NTP, RTSP, SADP, SMTP, SNMP, NFS, iSCSI, ISUP, UPnP™, HTTP, HTTPS |
| Network Interface | 1 RJ-45 10 /100 Mbps self-adaptive Ethernet interface |
| Auxiliary Interface | |
| SATA | 1 SATA interface |
| Capacity | Up to 8 TB capacity for each disk |
| USB Interface | 2 x USB 2.0 |
| Alarm In/Out | N/A (4/1 is optional) |
| General | |
| Power Supply | 12 VDC, 1.5 A |
| Consumption | ≤ 10 W (without HDD) |
| Working Temperature | -10 °C to 55 °C (14 °F to 131 °F) |
| Working Humidity | 10% to 90% |

| | |
|-----------------------|--|
| Dimension (W × D × H) | 320 × 240 × 48 mm (12.4" × 9.4" × 1.9") |
| Weight | ≤ 1 kg (without HDD, 2.2 lb.) |
| Certification | |
| FCC | Part 15 Subpart B, ANSI C63.4-2014 |
| CE | EN 55032: 2015, EN 61000-3-2, EN 61000-3-3, EN 50130-4, EN 55035: 2017 |

Note:

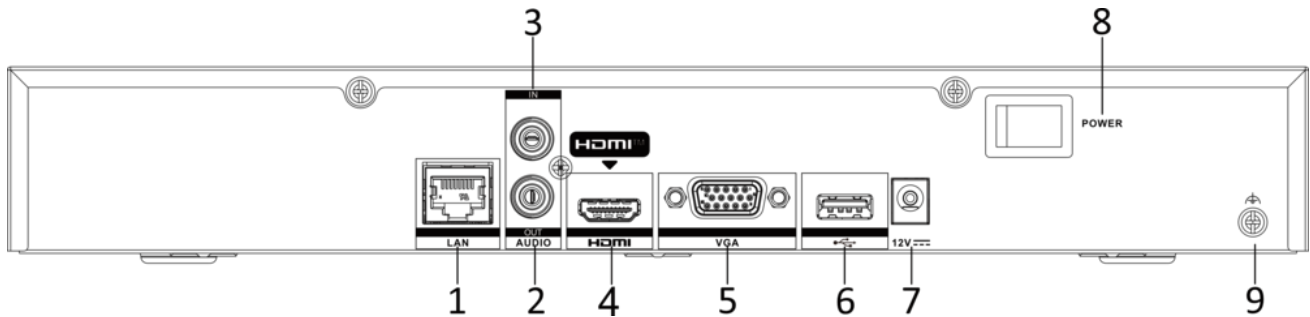
Alarm in/out can be optional for certain models. If you select a device model with "/ALARM", then the device will have 4 alarm inputs and 1 alarm output.

Dimension



scale/1:1;Unit/mm

Physical Interface



| No. | Description | No. | Description |
|-----|----------------------------|-----|---------------|
| 1 | LAN interface | 6 | USB interface |
| 2 | AUDIO OUT | 7 | Power supply |
| 3 | AUDIO IN | 8 | Power switch |
| 4 | HDMI interface | 9 | GND |
| 5 | VGA output (DB9 connector) | | |

Available Model

DS-7604NI-Q1 (D)

Headquarters

No.555 Qianmo Road, Binjiang District,
Hangzhou 310051, China
T +86-571-8807-5998
www.hikvision.com



Follow us on social media to get the latest product and solution information.



Hikvision



HikvisionHQ



HikvisionHQ



Hikvision_Global



Hikvision
Corporate Channel



hikvisionhq