

Switch Datasheet | UTP7310S-PSB, UTP7310S-PSD
Industrial 8-Port Gigabit PoE+ 2-Port 1G/2.5G SFP L2 Managed Ethernet Switch
Industrial 4-Port Gigabit PoE++ 4-Port Gigabit PoE+ 2-Port 1G/2.5G SFP L2
Managed Ethernet Switch

Overview

This series contains the following types:

- UTP7310S-PSB: Industrial 8-Port Gigabit PoE+ 2-Port 1G/2.5G SFP L2 Managed Ethernet Switch
- UTP7310S-PSD: Industrial 4-Port Gigabit PoE++ 4-Port Gigabit PoE+ 2-Port 1G/2.5G SFP L2 Managed Ethernet Switch

The switches provide 8*10/100/1000Mbps Ethernet RJ-45 ports, 2*1G/2.5Gbps SFP uplink ports. UTP7310S-PSB meets IEEE 802.3af/at standard. All downlink RJ-45 ports support Power-over-Ethernet (PoE+), which can deliver up to 30W power per port. UTP7310S-PSD meets IEEE 802.3af/at/bt standard. All RJ-45 ports support Power-over-Ethernet, 1~4 ports deliver up to 90W (PoE++) power per port, 5~8 ports deliver up to 30W (PoE+) power per port.

The switches support PoE watchdog features, which can detect and restart the camera automatically if it stops working. It supports the Q-PoE (Quick PoE) technology, which enables PoE power supply immediately upon switch startup without waiting for switch system software control. It supports the P-PoE (Perpetual PoE) technology, which enables PoE power supply without interruption when switch is restarting and restores the network quickly.

The switches have extensive L2 management functions, such as 802.1Q VLAN, 802.1p QoS, SNMP, Fast-Ring, and PoE control. It can be easily managed via a WEB GUI (http/https), CLI (telnet/ssh/console) or SNMP.

Features and Highlights

Abundant Interfaces

- UTP7310S-PSB: 8*10/100/1000BASE-T PoE+ RJ-45 ports
 UTP7310S-PSD: 4*10/100/1000BASE-T PoE++ RJ-45 ports
 4*10/100/1000BASE-T PoE+ RJ-45 ports
- 2*1G/2.5GBASE-X SFP ports
- 1*RJ-45 Console
- 1*RS485
- 1*Relay
- 1*USB 3.0

Industrial Design

- Working temperature: -40~75°C
- Redundant power supply
- 6kV contact discharge, 8kV air discharge ESD protection
- Fan-less metal shell design
- DIN-rail/wall mounted/desktop installation

Layer 2 Management Function

- 802.1Q VLAN
- 802.1p QoS
- SNMP
- STP/RSTP/MSTP
- ERPS
- IGMP snooping



UTP7310S-PSB



UTP7310S-PSD

Specifications

Item	UTP7310S-PSB	UTP7310S-PSD
Hardware Specifications		
Ethernet Ports	8*10/100/1000BASE-T PoE+ RJ-45(Auto-MDI/MDI-X)	4*10/100/1000BASE-T PoE++ RJ-45(Auto-MDI/MDI-X)
	2*1G/2.5GBASE-X SFP (The default value is 1G)	4*10/100/1000BASE-T PoE+ RJ-45(Auto-MDI/MDI-X)
Management Ports	1*RJ-45 Console 1*Relay	
Serial Port	1*RS-485	
	RS-485 signal: D+, D- Check bit: None, Even, Odd, Space, Mark Data bit: 5, 6, 7, 8bit Stop bit: 1, 1.5, 2bit Baud rate: 300~115200bps Load capacity: RS-485 port supports 32-point polling environment (128-point could be customized) Direction control: RS-485 adopts automatic data flow control technology	
USB Port	USB3.0	
Init Button	Short press to restart the device, Long press >5s to initialize the system	
LED Indicators	2*PWR, power indicators	
	1*ALM, alarm indicator	
	2*Link/Act, SFP indicators	
Cable	Cat5 or better	
Dimensions (W*D*H)	163mm*110.5mm*46.5mm	
Net Weight	0.79kg	
Input Voltage	Power 1 (Main): 48~57V DC, Power 2 (Backup): 48~57V DC	
Power Consumption	≤250W (Full load including PoE)	≤370W (Full load including PoE)
Installation	DIN-rail/Desktop/Wall mounted	
Material	Metal shell	
Switch Property		
Forwarding Modes	Store and Forward	
Switching Capacity	26Gbps / non-blocking	
Packet Forwarding Rate	19.344Mpps	
MAC Table	16k, support auto learning	
Port Buffer	2MB	
Jumbo Frame	9kB	
Power Supply		
PoE Standard	IEEE 802.3af/at	IEEE 802.3af/at/bt
PoE Power Supply Type	End-span	
PoE Pin Assignment	1/2(+), 3/6(-)	1~4 ports: 3/6/4/5(+), 1/2/7/8(-); 5~8 ports: 1/2(+), 3/6(-)
PoE Budget	30W max for each port, 240W max for whole switch	1~4 ports: 90W max for each port, 5~8 ports: 30W max for each port, 360W max for whole switch
Reliability		
ESD	IEC61000-4-2, Level 3: Contact Discharge: ±6kV, Air Discharge: ±8kV	
Surge Protection	IEC61000-4-5, Power: 4kV, Data Port: 6kV	
Operating	-40°C ~75°C, 5%~95% (Non-condensation)	
Storage	-40°C ~85°C, 5%~95% (Non-condensation)	
Certifications		
Certifications	CE, FCC	

Software Architecture

Item	
System State	
System Status	• Device Name
	• MAC Address
	• Firmware Version
	• Hardware Version
	• System Time
	• Update Time
Traffic Statistics	• Port No
	• Sent Frame Statistics
	• Received Frame Statistics
MAC Address Table	• Sort Type
	• MAC Address
	• VLAN ID
	• Port
	• Address Type
Port Configuration	
Port Setting	• Port State
	• Port Speed
	• Duplex Mode
	• Port Range
Rate Limit	• Enable and Disable
	• Port Range
	• Input Speed Limit
	• Output Speed Limit
Storm Control	• Port Range
	• Broadcast Storm
	• Multicast Storm
	• Unknown Unicast Storm
Port Isolation	• Port Range
	• Port Isolation
LLDP Configuration	• Enable and Disable
	• Holdtime
	• Interval Time
	• Admin Status
	• Port Range
LLDP Neighbors	• total entries displayed
	• Device
	• Mac Address
	• IPv4 Address
	• Local-port
	• Holdtime
	• Port-ID
	• Capability
Mac Limit	• Enable and Disable
	• Port Range
	• Mac Limit Num
PoE Setting	• Power setting
	• Power status
	• Port status and control
Ethernet Switch	
Link Aggregation	• Aggregated Load Pattern
	• Trunk Name
	• Aggregation Pattern
	• Port Range
802.1Q VLAN	• Port Range
	• Link Type
	• PVID
	• vlan-allowed
802.1p QoS	• Enable and Disable
	• QoS Scheduling
	• Priority
DSCP QoS	• Enable and Disable
	• DSCP Mark Range
	• DSCP Priority
WRR Configuration	• bandwidth weights
IP Service	
DHCP Server	• Enable and Disable
	• Client Lease Time
	• DNS Address
	• WINS Server
	• Pool Name
	• Network Interface(VID)
	• Gateway/Subnet
	• Start IP Address
• Max Client Number	
IP Multicast	
IGMP Snooping	• IGMP Interception Setting
	• IGMP Query
	• Static multicast MAC address
	• Port Range
Security Configuration	
802.1X Authentication	• Global Setting
	• Timing Update Authentication
	• Radius Server Setting
	• Server Port Setting
	• Port Setting
Local Radius Setting	• Port Range
	• User login
	• User password
AAA	• Radius user settings
	• Authentication login
Static Address Lock	• Enable and Disable
	• MAC Address
	• VLAN ID
	• Port
MAC Dynamic Aging	• Aging Time

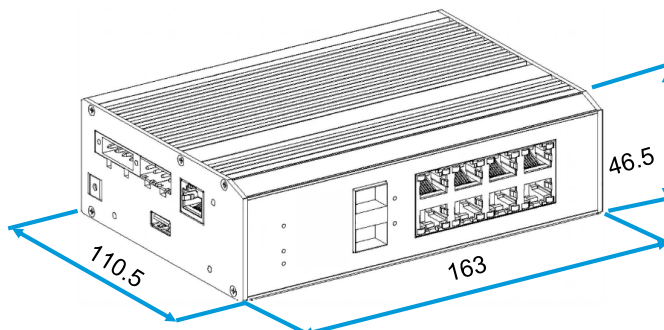
Software Architecture

Item	
Reliability	
Rapid spanning tree	• Enable and Disable
	• STP Version
	• Device Priority
	• Message Sending Period
	• Message Maximum Lifetime
	• Port State Transition Delay
	• This Bridge Update Message
	• Modify Configuration
MSTP Region Configuration	• Enable and Disable
	• Region name
	• Version
	• Hello Time
	• Max.Age
MSTP instance configuration	• Instance ID
	• Corresponding VLANs
	• Priority
	• Path Cost
MSTP Port Configuration	• Port Priority
	• Point-to-point
	• Admin Edge
	• Auto Edge
	• Restrict Role
	• Restrict TCN
	• BPDU Filter
	• BPDU Guard
	• Root Guard
	• Port Range
MSTP instance information	• Instance ID
	• MSTP Bridge Information
	• MSTP instance information
FastRing Protect	• Enable and Disable
	• Fast Ring Network Group 1
	• Fast Ring Network Group 2
Loopback Protect	• Enable and Disable
	• Protect Automatic Recovery
	• Disable Loop Port Time
	• Port Range
ERPS Ring	• Port Loop Detection
	• Ring Number
	• East Interface
ERPS Instance	• West Interface
	• Enable and Disable
	• Name
	• ID
	• Ring Number
	• Level
	• RAPS VLAN
	• Owner Interface
	• Subring Blocking
	• Associated Instance
Network Diagnosis	
ICMPv4	• Ping IPv4
ICMPv6	• Ping IPv6
Traceroute	• Destination IP
Alarm Management	
Alarm Host	• Enable and Disable
	• Alarm Type
	• Power Supply
	• Port Network
	• Port PoE
DMS	
Device List	• Enable and Disable
	• Type in List
Topology View	• Topology View
System Management	
Port Mirroring	• Enable and Disable
	• Monitor Port
	• Mirror Port Range
	• Collect Data
SNMP	• Enable and Disable
	• SNMP Gateway
	• SNMP Version
	• Read-only Group Name
	• Read and Write Group Name
	• SNMP V3 setting
Telnet	• Enable and Disable
HTTP	• HTTP and HTTPS
Time	• Time Setting
	• World Time Zone
	• NTP Server
	• System Time
	• PC Time
Syslog	• Enable and Disable
	• Show Type
	• Information Processing
Management	• Restore Factory Value
	• System Reboot
	• Download Configuration File
	• Upload Configuration File
	• Choose upgrade file
User Setting	• Access Privilege
	• Username
	• Input password
	• Confirm password
	• Password type
Timing Restart	• Every day
	• Every week
	• Every month
Manage IP Address	• Access
	• Manage VLAN
	• IP Addr
	• Subnet mask
	• Default gateway
	• DNS address
	• IPv6 address
• IPv6 default gateway	
One Key Smart	• CCTV Mode
	• Device Lock
	• Fast Ring
	• Device Online

Appearances and Dimensions

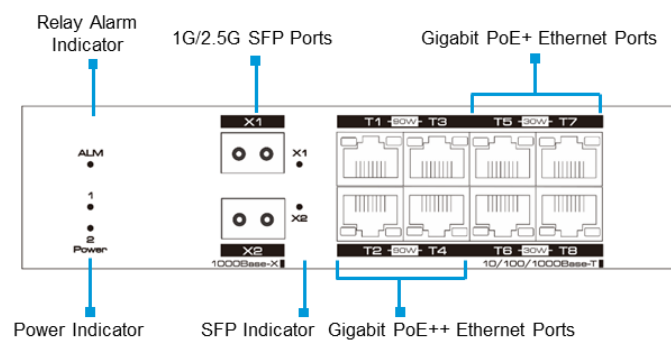
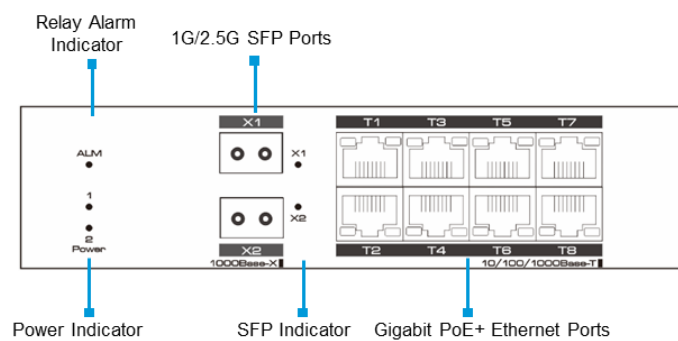
UTP7310S-PSB, UTP7310S-PSD

Dimensions(mm)

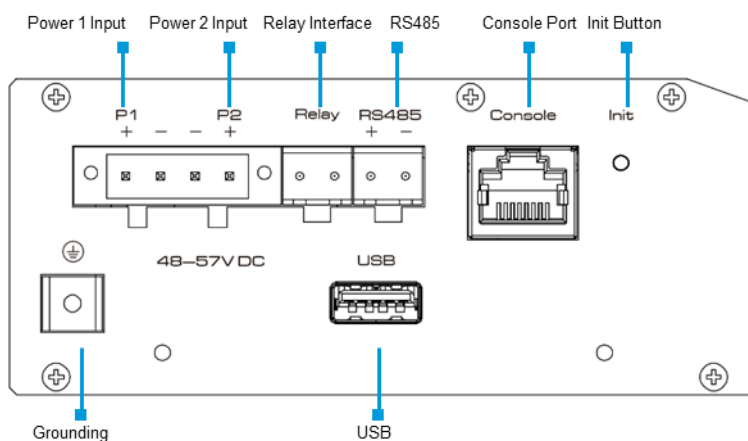


UTP7310S-PSB Front panel

UTP7310S-PSD Front panel



Side panel



Packing List

Welcome to order our products. After purchasing, you will receive:

Item	Quantity
Switch	1 pc
Mounting Accessory	1 set
Quick Installation Guide	1 pc

More Information

For more information, please visit:

www.utepo.net

SHENZHEN UTEPO TECH LTD.

Head quarter: 5F, Building B, Tiange Science and Technology Park, NO.2, Luozu Industrial Avenue, Shi'yan Street, Bao'an District, Shenzhen, Guangdong, China

Tel: +86-755-83898016-863 or +86-1501-2669-765 (Sales)

Email: info@utepo.net (Sales), support@utepo.net (Technical support)

©2023 SHENZHEN UTEPO TECH LTD. All Rights Reserved.

Version, V1.2, updated 2023-04-03.

The information in this document is subject to change without notice.

Every effort has been made in the preparation of this document to ensure accuracy of the contents, but all statements, information, and recommendations in this document do not constitute a warranty of any kind, express or implied.