

DS-PRI11205SR-V Security Radar

DS-PRI11205SR-V security radar, which adopts with radar technology including phased array technology, pulse doppler, low-power FMCW modulation technology, is ideal choose for intrusion detection even in challenging conditions like darkness, fog and moderate rainfall. It can also support multi-target positioning, tracing and linking cameras for tracking and recording. Besides, the embedded deep learning algorithm in radar can be also used to detect interested objects only for human and vehicle base on the video stream from linked camera. It is recommend to be used in the military base, prison, power station, railway, museum, airport and other security place



Key Features

- Support obtain distance, speed, and angle information for detected object
- Support display target positioning, tracking and trajectory
- Capable to detect ultra-slow movements, squatting movements or creeping
- Selectable working mode including: open mode, shrub mode, and custom mode (with adjustable sensitivity)
- 24/7 all-weather working properly
- Exception alarm: communication failure alarm, anti-moving alarm and tampering alarm
- Linkage between radar trajectory and PTZ camera: manually switch target for tracking from trajectory, real-time show PTZ tracking target on trajectory, define parking position for PTZ after tracking task
- Multi-target automatic tracking policy: time first, distance first, polling



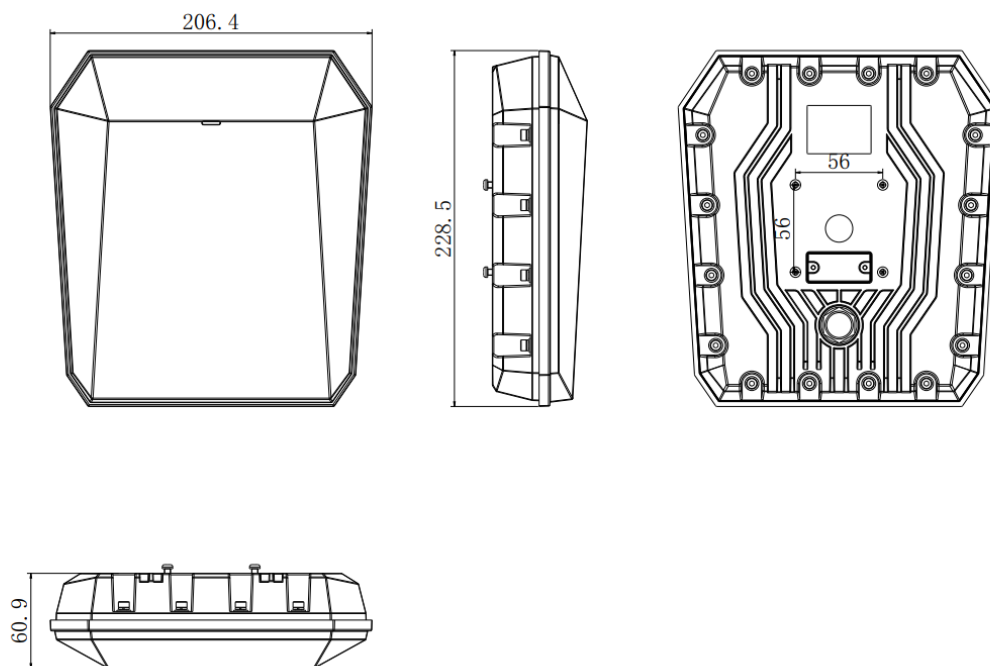
▪ Specification

Detection Performance	
Detection Range	500m
Detection Angle	Horizontal: 90° Vertical: 12°
Distance Accuracy	±2.5m
Angle Accuracy	±1°
Max Number of Target	128
Speed Range	-10 ~ 10m/s
Software Features	
Detection Zone	16
Exception Alarm	communication failure alarm, anti-moving alarm and tampering alarm
Detection Line	Single line and double line detection. -4x single line detection -1x double and 2x single line detection
Hardware Features	
Relay Output	3x low voltage relay (5VDC, 0.5A/125AVC, 300mW) 1x High voltage relay (12VDC, 10A/240VAC, 2.5KV)
Power Consumption	DC12V, 24w max
SD Card	Embedded Micro SD slot, support Micro SD/Micro SDHC/Micro SDXC (maximum 256G) 1x128G SD card contained by default
Network Interface	1x RJ45 10M/100M/1000M self-adaptive, PoE
RS-485	half-duplex
Wireless Transmission	
RF Modulation	24.05GHz~24.25GHz
General	
IK Rate	IK09
IP Rate	IP67
Operation Humidity	10% ~ 90%
Installation Height	2.2m ~ 3.5m
Operation Temperature	-40°C ~ +65°C
Dimension(WxHxD)	228mmx206mmx61mm(8.97''x8.11''x2.4'')
Anti-Corrosion	NEMAX 4X
Weight	1.8kg

▪ Available Model


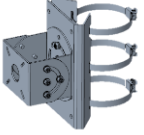
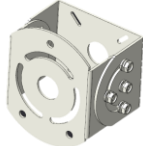


DS-PRI11205SR-V

▪ Dimensions



▪ **Accessories**

▪ **Bracket**

DS-PRB-1120	DS-PRB-1310	DS-PRB-1110	DS-1275ZJ-M	DS-PRB2221
				
DS-PRB-1200		DS-PRB-2200		
