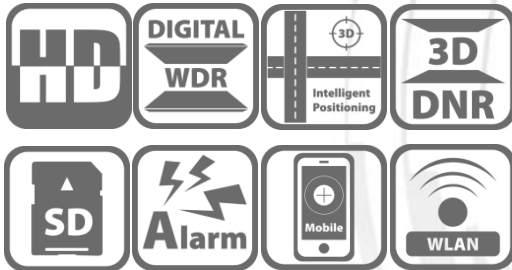


DS-2DE2103/2202-DE3/W 1MP/2MP Network Mini PTZ Dome Camera



This Micro-designed 2.5" PTZ Mini Dome Camera shows the easiest installation, adjustment and maintenance that you have ever seen. It is a fantastic and practical camera for indoor area such as the café, hotels, office lobbies and small shops etc. In addition, DS-2DE2103/2202-DE3/W support 2X/3X zoom technology, Cloud P2P function and PoE&12VDC power supply. Embedded with 1/3" progressive scan CMOS chip makes DWDR and 1.3MP/2MP real-time resolution possible. With the pan/tilt and 2X/3X zoom Day/Night lens, the camera offers more details in the indoor environments. Hikvision DS-2DE2103/2202-DE3/W Mini PTZ Dome Cameras also features a wide range of functions, including intrusion detection, line crossing detection, motion detection and audio exception, benefitting users with great improvement on security efficiency, more importantly, with key events / objects being recorded for further forensic needs.

Key Features

- 1/3" Progressive Scan CMOS
- 1280 x 720/1920 x 1080
- 2X/3X Zoom
- DWDR
- Support WiFi
- 3D intelligent positioning function
- PoE(802.3af)
- Support cloud P2P
- Support plug & play



Function Description

Basic function

- High performance CMOS, up to 1280 x 720/1920 x 1080@30fps resolution
- $\pm 0.1^\circ$ Preset Accuracy
- ONVIF(Open Network Video Interface Forum), CGI(Common Gateway Interface), PSIA(Physical Security Interoperability Alliance), to ensure greater interoperability between different platforms and compatibility
- 3D intelligent positioning function
- Power-off memory function: restore PTZ & Lens status after reboot
- PoE(802.3af)
- Support WiFi
- Support cloud P2P

Functions

- Detections: intrusion detection, line crossing detection, audio exception detection, motion detection
- Recording: edge recording, support smart search in smart NVR
- Support low bit rate, ROI

Camera function

- Auto iris, auto focus, auto white balance, backlight compensation and auto day & night switch
- Min. Illumination: 0.05Lux@(F2.0,AGC ON)(Color), 0.01Lux@(F2.0,AGC ON)(B/W)
- Support 8 privacy masks

PTZ functions

- 0-350° pan range and 0°-90° tilt range
- 0.1°-50°/s Manual Pan Speed and 0.1°-40°/s Manual Tilt Speed
- 300 presets programmable

Network function

- Built-in Web server
- Micro SD card local storage, up to 128GB
- Support up to 8 NAS storage; Transmit the videos from SD card to the NAS after network resumed
- HTTPS encryption and IEEE 802.1x port-based network access control
- Support dual-stream;H.264/MJPEG video compression; Basic and advanced video configuration; Real time video at 720P/1080P
- Multiple network protocols supported: IPv4/IPv6, TCP/IP, HTTP, DHCP, DNS, DDNS, RTP, RTSP, PPPoE, SMTP, NTP, UPnP, SNMP, FTP, 802.1x, QoS, HTTPS
- 1 audio input and 1 audio output
- 1 alarm input and 1 alarm output, alarm linkage support preset, recording, relay output, upload center, etc

Specifications

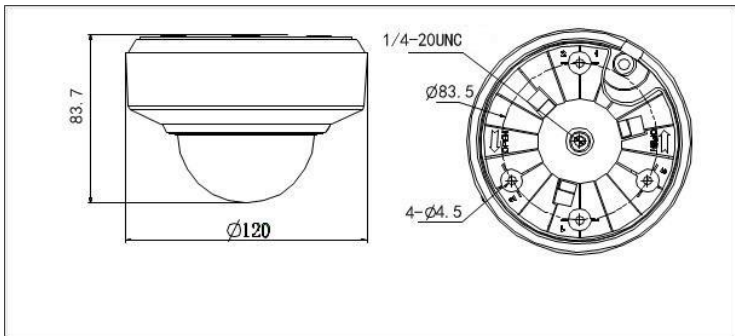
Model	DS-2DE2103-DE3/W	DS-2DE2202-DE3/W
Camera		
Image Sensor	1/3" Progressive Scan CMOS	
Min. Illumination	F2.0, AGC On: Color:0.05 lux, B/W : 0.01 lux	
Max. Image Resolution	1280(H) × 720(V)	1920(H) x 1080(V)
Focal Length	3.6~11mm, 3x	3.6~8.6mm, 2x
Digital Zoom	16X	
Zoom Speed	Approx.1s(Wide~Tele)	
Angle of View	77~37 degree (Wide~Tele)	77~50 degree (Wide~Tele)
Aperture Range	F2.0	
Focus Mode	Auto / Semiautomatic / Manual	
DWDR	Support	
Shutter Time	1/1~1/10,000s	
AGC	Auto / Manual	
White Balance	Auto / Manual /ATW/Indoor/Outdoor/Daylight lamp/Sodium lamp	
Day & Night	IR Cut Filter	
Privacy Mask	8 privacy masks programmable	
Enhancement	3D DNR, HLC/BLC	
Pan and Tilt		
Range	Pan: 0~350°; Tilt: 0°~90°	
Speed	Pan Manual Speed: 0.1°~50°/s Tilt Manual Speed: 0.1°~40°/s	
Number of Preset	300	
Park Action	Preset	
Scheduled Task	Preset /Reboot / Patrol/ Self test/ Aux output	
Features		
Detection	Intrusion detection, line crossing detection, audio exception, motion detection	
ROI encoding	Support 4 areas with adjustable levels	
Alarm		
Alarm I/O	1/1	
Alarm Trigger	Intrusion detection, Line crossing detection, Motion detection, Audio Exception Detection, Dynamic analysis, Tampering alarm, Network disconnect, IP address conflict, Storage exception	
Alarm Action	Preset, Recording, Relay output, Upload center, upload FTP, email linkage	
Input/Output		
Audio Input	1 built-in microphone; 1 audio input (Mic/Line in), 2~2.4V[p-p]; output impedance: 1KΩ, ±10%	

Audio Output	1 Audio output interface, line level, impedance: 600Ω	
Network		
Ethernet	10Base-T / 100Base-TX, RJ45 connector	
Main Stream	50Hz: 25 fps (1280×720); 60Hz: 30 fps (1280×720)	50Hz: 25 fps (1920×1080); 60Hz: 30 fps (1920×1080)
Sub Stream	50Hz:25fps(704×576), 25fps(352×288), 25fps(320×240) 60Hz:30fps(704×480), 30fps(352×240), 30fps(320×240)	
Image Compression	H.264/ MJPEG	
Audio Compression	G.711ulaw/G.711alaw/G.726/MP2L2/G.722	
Protocols	IPv4/IPv6, HTTP, HTTPS, 802.1X, QoS, FTP, SMTP, UPnP, SNMP, DNS, DDNS, NTP, RTSP, RTP, TCP, UDP,IGMP, ICMP, DHCP, PPPoE	
Simultaneous Live View	Up to 20 users	
Mini SD Memory Card	Support up to 128GB Micro SD/SDHC/SDXC card. Support Edge recording	
User/Host Level	Up to 32 users,3 Levels: Administrator, Operator and User	
Security Measures	User authentication (ID and PW); Host authentication (MAC address); IP address filtering	
Wi-Fi Specification		
Wireless Standards	IEEE802.11b, 802.11g, 802.11n	
Frequency Range	2.4 GHz ~ 2.4835 GHz	
Channel Bandwidth	20/40MHz Support	
Protocols	802.11b: CCK, QPSK, BPSK; 802.11g/n: OFDM	
Security	64/128-bit WEP, WPA/WPA2, WPA-PSK/WPA2-PSK, WPS	
Transmit Output Power	11b: 17±1.5dBm @ 11Mbps 11g: 14±1.5dBm @ 54Mbps 11n: 12.5±1.5dBm	
Receive Sensitivity	11b: -90dBm @ 11Mbps (Typical) 11g: -75dBm @ 54Mbps (Typical) 11n: -74dBm (Typical)	
Transfer Rates	11b: 11Mbps 11g: 54Mbps 11n: up to 150Mbps	
Wireless Range	50m(depend on environment)	
Wireless Standards	IEEE802.11b, 802.11g, 802.11n	
System Integration		
Application programming	Open-ended API, support Onvif, PSIA, CGI and Genetec ; Support cloud P2P	
Web Browser	IE 7+, Chrome 18 +, Firefox 5.0 +, Safari 5.02 +	
Power	POE (802.3af, class 3) &12 VDC, Max. 6W	
Working Temperature	-10℃~50℃ (14°F~122°F)(indoor dome)	
Humidity	90% or less	
Protection Level	IP54, TVS 4,000V lightning protection, surge protection and voltage transient protection	
Certification	FCC, CE, UL, RoHS, IEC/EN 61000, IEC/EN 55022, IEC/EN 55024, IEC /EN60950-1	
Dimensions	Φ 120×83.7mm	
Weight (approx.)	340g	
Mount Option	Wall mount: DS-1294ZJ	

Order Models

DS-2DE2103-DE3/W; DS-2DE2202-DE3/W

Dimension



Accessories



DS-1294ZJ
Wall Mount



DS-1100KI
Network Keyboard



DS-1005KI
USB Joy-stick

Distributed by

Headquarters
No.555 Qianmo Road, Binjiang District,
Hangzhou 310051, China
T +86-571-8807-5998
overseasbusiness@hikvision.com

Hikvision Poland
T +48-22-460-01-50
poland@hikvision.com

Hikvision USA
T +1-909-895-0400
sales.usa@hikvision.com

Hikvision India
T +91-22-28469900
sales@pramahikvision.com

Hikvision UK
T +44-1628-9021-4
support.uk@hikvision.com

Hikvision Europe
T +31-23-5542770
saleseuro@hikvision.com

Hikvision Italy
T +39-0438-6902
info.it@hikvision.com

Hikvision Singapore
T +65-6684-4718
sg@hikvision.com

Hikvision Middle East
T +971-4-8816086
salesme@hikvision.com

Hikvision France
T +33(0)1-85-330-444
info.fr@hikvision.com

Hikvision Oceania
T +61-2-8599-4233
salesau@hikvision.com

Hikvision Russia
T +7-495-669-67-99
saleru@hikvision.com

Hikvision Spain
T +34-91-737-16-55
info.es@hikvision.com

Hikvision Hong Kong
T +852-2151-1761