

DS-TMG080-4

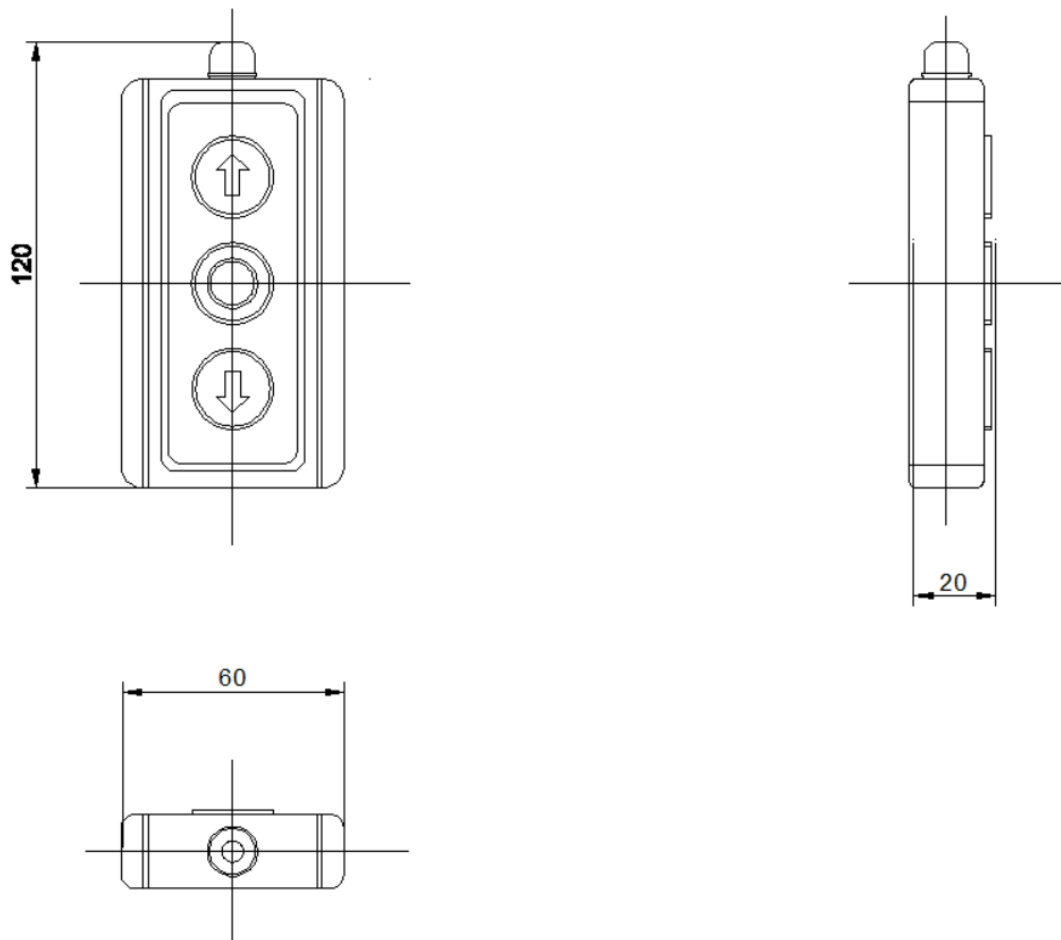
Wired Three-button Controller



Feature

- Wired Three-button controller;
- Easy to control and maintain;
- Small and light;

Dimension



Available Model

DS-TMG080-4

Parameter

Model	DS-TMG080-4
Parameters	Wired Three-button Controller
Appearance	Aluminum
Dimension	Approx. 120 mm × 60 mm × 20 mm (4.72" × 2.36" × 0.79")
Weight	Approx. 100 g (0.22 lb.)