

Product Name: Mini Electric Bolt

Product Type: JEB-220

Features:

About Mini Electric Bolt

Fail Safe Type.

Concealed mortise mounting.

Slimline styling suits most narrow profile joinery

Continuously rated solenoids

Power reduction module-minimises power consumption maximizes durability

Door position sensor

Full protected against transients

Reverse polarity protected

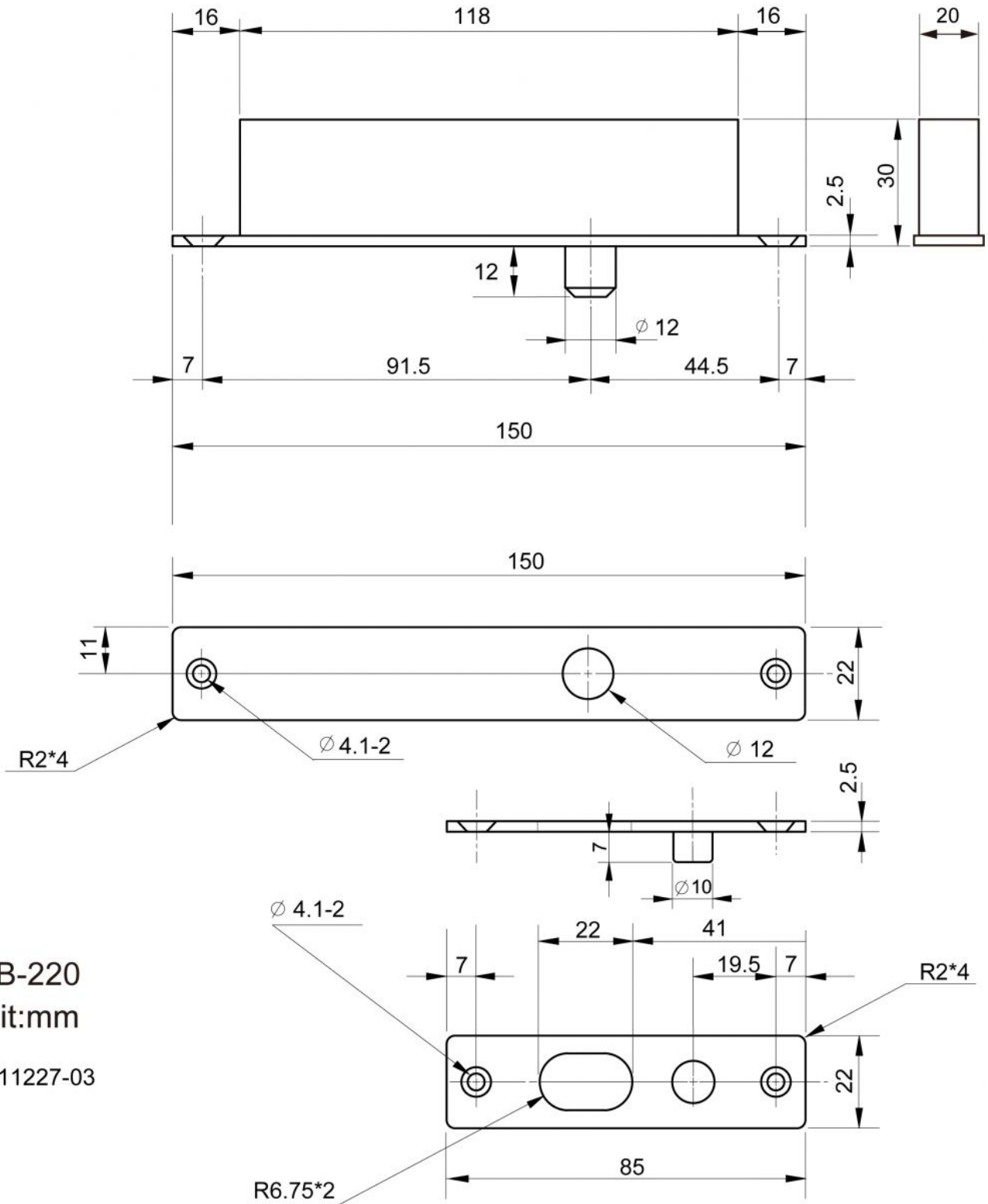
Automatic deadbolt action

Stainless steel bolt

Specifications:

Power source	DC 12V 1A
Start current	0.7A
Operating current	200mA
Face Plate	150(L) x 22(W) X 31(H)mm

Strike: Mortise	85(L) x 22(W) X 10(H)mm
Bolt	12mm(diameter), 13mm(Throw)



JEB-220
Unit:mm

V20111227-03

Ordering Information:

Electric Door Bolt Assembly (option) :

UBK-223 Bracket for frameless glass door Dimension : 153x50x47mm

UBK-220 Surface Mount Housing Dimension : 153x52x47mm

UBK-220U Bracket for frameless glass door Dimension : 153x98x47mm

TP-220 Dressing Cover Dimension : 161x32x0.4mm

Reference models:

Taiwan Jantek Electronics., Ltd.

www.jantek.com.tw

Add:6F-1, No. 1, Wuquan 1St.Rd.,Xinzhuang District, TEL : 886-2-22991255

New Taipei City 24892, Taiwan, R.O.C.

FAX : 02-2299-1257 / 02-2299-7412

Email : service@jantek.com.tw