

## DS-2CD3T56G2-ISU/SL AcuSense 5 MP IR Fixed Bullet Network Camera



Empowered by deep learning algorithms, Hikvision AcuSense technology brings human or vehicle target classification alarms to front- and back-end devices. The system can greatly reduce false alarms generated by targets other than humans or vehicles, vastly improving alarm efficiency and effectiveness.

- High quality imaging with 5 MP resolution
- Excellent low-light performance with powered-by-DarkFighter technology
- Clear imaging against strong back light due to 120 dB true WDR technology
- Efficient H.265+ compression technology
- False alarm reduction through human and vehicle target classification based on deep learning
- Active strobe light and audio alarm to warn intruders off
- Provides real-time security via built-in two-way audio
- Water and dust resistant (IP67)



## ▪ Specification

| Camera                 |  |
|------------------------|--|
| Image Sensor           | 1/2.7" Progressive Scan CMOS   |
| Min. Illumination      | 0.003 Lux @ (F1.4, AGC ON), 0 Lux with IR on   |
| Shutter Speed          | 1/3 s to 1/100,000 s   |
| Slow Shutter           | Yes  |
| P/N                    | P/N  |
| Wide Dynamic Range     | 120 dB   |
| Day & Night            | ICR Cut  |
| Angle Adjustment       | Pan: 0° to 360°, tilt: 0° to 90°, rotate: 0° to 360°   |
| Lens                   |  |
| Lens Mount             | M12  |
| Lens Type & FOV        | 2.8 mm, horizontal FOV 97°, vertical FOV 71°, diagonal FOV 129°<br>4 mm, horizontal FOV 78°, vertical FOV 58°, diagonal FOV 102°<br>6 mm, horizontal FOV 44°, vertical FOV 34°, diagonal FOV 54° |
| Aperture               | F1.4   |
| DORI                   |  |
| DORI                   | 2.8 mm: D: 64 m, O: 25 m, R: 12 m, I: 6 m<br>4 mm: D: 77 m, O: 30 m, R: 15 m, I: 7 m<br>6 mm: D: 126 m, O: 50 m, R: 25 m, I: 12 m  |
| Illuminator            |  |
| IR Range               | Up to 60 m   |
| Wavelength             | 850 nm   |
| Smart Supplement Light | Yes  |
| Visual Alarm           | Yes  |
| Video                  |  |
| Max. Resolution        | 2592 × 1944  |
| Main Stream            | 50Hz: 20 fps (2592 × 1944)<br>25 fps (2688 × 1520, 2304 × 1296, 1920 × 1080, 1280 × 720)<br>60Hz: 20 fps (2592 × 1944)<br>30 fps (2688 × 1520, 2304 × 1296, 1920 × 1080, 1280 × 720)             |
| Sub-Stream             | 50Hz: 25 fps (640 × 480, 640 × 360, 320 × 240)<br>60Hz: 30 fps (640 × 480, 640 × 360, 320 × 240)   |
| Third Stream           | 50Hz: 15 fps (1280 × 720, 640 × 480, 640 × 360, 320 × 240)<br>60Hz: 15 fps (1280 × 720, 640 × 480, 640 × 360, 320 × 240)   |
| Fourth Stream          | 50Hz: 15 fps (1280 × 720, 640 × 480, 640 × 360, 320 × 240)<br>60Hz: 15 fps (1280 × 720, 640 × 480, 640 × 360, 320 × 240)<br>*Fourth stream is supported under certain settings.                  |
| Video Compression      | Main stream: H.265/H.264/H.264+/H.265+<br>Sub-stream: H.265/H.264/MJPEG<br>Third stream: H.265/H.264<br>Fourth stream: H.265/H.264/MJPEG   |
| Video Bit Rate         | 32 Kbps to 8 Mbps  |
| H.264 Type             | Baseline Profile/Main Profile/High Profile   |

|                             |  |
|-----------------------------|--|
| H.265 Type                  | Main Profile   |
| H.264+                      | Main stream supports   |
| H.265+                      | Main stream supports   |
| Bit Rate Control            | CBR/VBR  |
| Scalable Video Coding (SVC) | Yes  |
| Region of Interest (ROI)    | 5 fixed regions for main stream and sub-stream   |
| e-PTZ                       | Support Preset and Patrol settings<br>*Only the fourth stream supports this function.  |
| <b>Audio</b>                |  |
| Environment Noise Filtering | Yes  |
| Audio Sampling Rate         | 8 kHz/16 kHz/32 kHz/44.1 kHz/48 kHz  |
| Audio Compression           | G.711ulaw/G.711alaw/G.722.1/G.726/MP2L2/PCM/MP3  |
| Audio Bit Rate              | 64Kbps(G.711ulaw/G.711alaw)/16Kbps(G.722.1)/16Kbps(G.726)/32-192Kbps(MP2L2)/8-320Kbps(MP3)   |
| <b>Network</b>              |  |
| Smooth Streaming            | Yes  |
| Security                    | Password protection, complicated password, HTTPS encryption, IP address filter, Security Audit Log, basic and digest authentication for HTTP/HTTPS, TLS 1.2, WSSE and digest authentication for Open Network Video Interface, memory card encryption, SFTP encryption, SRTP encryption |
| Simultaneous Live View      | Up to 6 channels   |
| API                         | Open Network Video Interface (PROFILE S, PROFILE G, PROFILE T), ISAPI, SDK   |
| Protocols                   | TCP/IP, ICMP, HTTP, HTTPS, FTP, DHCP, DNS, DDNS, RTP, RTSP, NTP, UPnP, SMTP, IGMP, 802.1X, QoS, IPv4, IPv6, UDP, Bonjour, SSL/TLS, PPPoE, SFTP, ISUP, ARP, SNMP  |
| User/Host                   | Up to 32 users. 3 user levels: administrator, operator and user  |
| Network Storage             | MicroSD/SDHC/SDXC card (256 GB) local storage, and NAS(NFS, SMB/CIFS), auto network replenishment (ANR), FTP ANR   |
| Client                      | iVMS-4200, Hik-Connect, Hik-Central  |
| Web Browser                 | Plug-in required live view: IE 10, IE 11<br>Plug-in free live view : Chrome 57.0+, Firefox 52.0+<br>Local service: Chrome 57.0+, Firefox 52.0+   |
| <b>Image</b>                |  |
| Day/Night Switch            | Day, Night, Auto, Schedule   |
| Target Cropping             | Yes  |
| Image Enhancement           | BLC, HLC, 3D DNR, EIS, Defog   |
| Image Parameters Switch     | Yes  |
| Image Settings              | Rotate mode, saturation, brightness, contrast, sharpness, gain, white balance adjustable by client software or web browser   |
| <b>Interface</b>            |  |
| Alarm                       | 2 inputs, 2 outputs (max. 24 VDC, 1 A)   |
| Built-in Speaker            | Yes  |
| Built-in Microphone         | Yes  |
| Audio                       | 1 input (line in), 3.5 mm connector, max. input amplitude: 3.3 vpp, input impedance: 2.2 K $\Omega$ , interface type: non-equilibrium; 1 output (line out), 3.5 mm connector, max. output amplitude: 3.3 vpp, output impedance: 100 $\Omega$   |

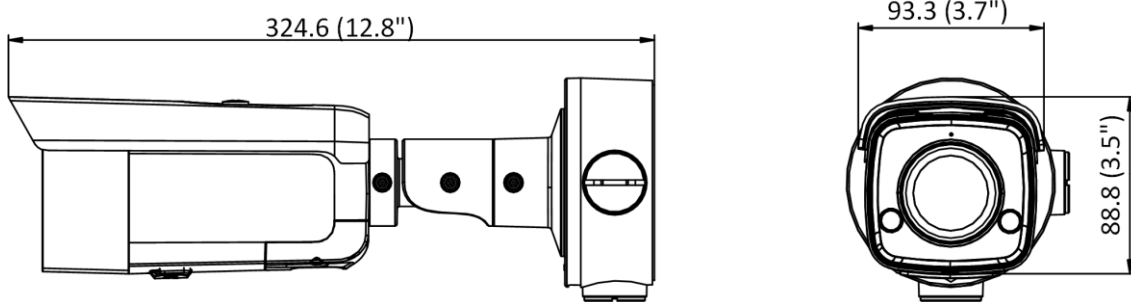
|                                  |   |
|----------------------------------|---|
| On-board Storage                 | Built-in micro SD/SDHC/SDXC slot, up to 256 GB  |
| Hardware Reset                   | Yes   |
| Communication Interface          | 1 RJ45 10M/100M self-adaptive Ethernet port   |
| <b>Event</b>                     |   |
| Basic Event                      | Motion detection, video tampering alarm, exception (network disconnected, IP address conflict, illegal login, HDD full, HDD error)  |
| Smart Event                      | Unattended baggage detection, object removal detection, scene change detection, audio exception detection, video quality diagnosis  |
| <b>Deep Learning Function</b>    |   |
| Face Capture                     | Yes   |
| Perimeter Protection             | Line crossing detection, intrusion detection, region entrance detection, region exiting detection   |
| <b>General</b>                   |   |
| Linkage Method                   | Upload to NAS/memory card, notify surveillance center, trigger record, trigger capture, strobe light, audible warning   |
| Web Client Language              | 33 languages<br>English, Russian, Estonian, Bulgarian, Hungarian, Greek, German, Italian, Czech, Slovak, French, Polish, Dutch, Portuguese, Spanish, Romanian, Danish, Swedish, Norwegian, Finnish, Croatian, Slovenian, Serbian, Turkish, Korean, Traditional Chinese, Thai, Vietnamese, Japanese, Latvian, Lithuanian, Portuguese (Brazil), Ukrainian |
| General Function                 | Anti-flicker, heartbeat, mirror, privacy masks, flash log, password reset via e-mail, pixel counter   |
| Software Reset                   | Yes   |
| Storage Conditions               | -30 °C to 60 °C (-22 °F to 140 °F). Humidity 95% or less (non-condensing)   |
| Startup and Operating Conditions | -30 °C to 60 °C (-22 °F to 140 °F). Humidity 95% or less (non-condensing)   |
| Power Supply                     | 12 VDC ± 25%, reverse polarity protection<br>PoE: 802.3at, Class 4  |
| Power Consumption and Current    | 12 VDC, 0.95 A, max. 12 W<br>PoE (802.3at, 42.5 V to 57 V), 0.31 A to 0.23 A, max. 13 W   |
| Power Interface                  | Ø5.5 mm coaxial power plug  |
| Camera Dimension                 | 324.6 × 93.3 × 88.8 mm (12.8" × 3.7" × 3.5")  |
| Package Dimension                | 386 × 156 × 155 mm (15.2" × 76.1" × 6.1")   |
| Camera Weight                    | Approx. 1110 g (2.4 lb.)  |
| With Package Weight              | Approx. 1610 g (3.5 lb.)  |
| <b>Approval</b>                  |   |
| EMC                              | FCC SDoC (47 CFR Part 15, Subpart B);<br>CE-EMC (EN 55032: 2015, EN 61000-3-2: 2019, EN 61000-3-3: 2013, EN 50130-4: 2011 +A1: 2014);<br>RCM (AS/NZS CISPR 32: 2015);<br>IC VoC (ICES-003: Issue 6, 2019);<br>KC (KN 32: 2015, KN 35: 2015)   |

|             |   |
|-------------|---|
| Safety      | UL (UL 60950-1);<br>CB (IEC 60950-1:2005 + Am 1:2009 + Am 2:2013, IEC 62368-1:2014);<br>CE-LVD (EN 60950-1:2006+A2:2013, IEC 62368-1:2014+A11:2017);<br>BIS (IS 13252(Part 1):2010+A1:2013+A2:2015);<br>LOA (SANS IEC60950-1) |
| Environment | CE-RoHS (2011/65/EU); WEEE (2012/19/EU);<br>Reach (Regulation (EC) No 1907/2006)  |
| Protection  | Ingress protection: IP67 (IEC 60529-2013)   |

▪ **Available Model**

DS-2CD3T56G2-ISU/SL(2.8/4/6 mm)

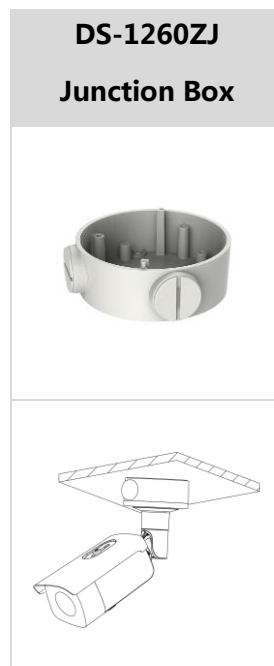
▪ **Dimension**





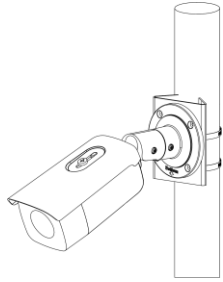
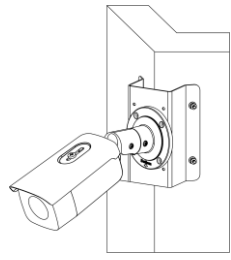
Unit: mm (inch)

▪ **Accessory**

▪ **Included**



▪ Optional

| DS-1275ZJ-S-SUS<br>Vertical Pole Mount  | DS-1276ZJ-SUS<br>Corner Mount  |
|---|--|
|  |  |
|  |  |

Distributed by



## HIKVISION®

**Headquarters**

No.555 Qianmo Road, Binjiang District,  
Hangzhou 310051, China  
T +86-571-8807-5998  
overseasbusiness@hikvision.com

**Hikvision USA**  
T +1-909-895-0400  
sales.usa@hikvision.com

**Hikvision Australia**  
T +61-2-8599-4233  
salesau@hikvision.com

**Hikvision India**  
T +91-22-28469900  
sales@pramahikvision.com

**Hikvision Canada**  
T +1-866-200-6690  
sales.canada@hikvision.com

**Hikvision Thailand**  
T +662-275-9949  
sales.thailand@hikvision.com

**Hikvision Europe**  
T +31-23-5542770  
sales.eu@hikvision.com

**Hikvision Italy**  
T +39-0438-6902  
info.it@hikvision.com

**Hikvision Brazil**  
T +55 11 3318-0050  
Latam.support@hikvision.com

**Hikvision Turkey**  
T +90 (216)521 7070- 7074  
sales.tr@hikvision.com

**Hikvision Malaysia**  
T +601-7652-2413  
sales.my@hikvision.com

**Hikvision UK & Ireland**  
T +01628-902140  
sales.uk@hikvision.com

**Hikvision South Africa**  
Tel: +27 (10) 0351172  
sale.africa@hikvision.com

**Hikvision France**  
T +33(0)1-85-330-450  
info.fr@hikvision.com

**Hikvision Kazakhstan**  
T +7-727-9730667  
nikia.panfilov@hikvision.ru

**Hikvision Vietnam**  
T +84-974270888  
sales.vt@hikvision.com

**Hikvision UAE**  
T +971-4-4432090  
salesme@hikvision.com

**Hikvision Singapore**  
T +65-6684-4718  
sg@hikvision.com

**Hikvision Spain**  
T +34-91-737-16-55  
info.es@hikvision.com

**Hikvision Tashkent**  
T +99-87-1238-9438  
uzb@hikvision.ru

**Hikvision Hong Kong**  
T +852-2151-1761  
info.hk@hikvision.com

**Hikvision Russia**  
T +7-495-669-67-99  
saleru@hikvision.com

**Hikvision Korea**  
T +82-(0)31-731-8817  
sales.korea@hikvision.com

**Hikvision Poland**  
T +48-22-460-01-50  
info.pl@hikvision.com

**Hikvision Indonesia**  
T +62-21-2933759  
Sales.Indonesia@hikvision.com

**Hikvision Colombia**  
sales.colombia@hikvision.com