

DS-2DF8C825IXS-AEL(T2)

8 MP 25 × Network IR Speed Dome

DarkFighter



Hikvision DS-2DF8C825IXS-AEL(T2) 8 MP 25 × Network IR Speed Dome adopts 1/1.2" progressive scan CMOS chip. With the 25 × optical zoom lens, the camera offers more details over expansive areas. This series of cameras can be widely used for wide ranges of high-definition, such as the rivers, forests, roads, railways, airports, ports, squares, parks, scenic spots, stations and large venues, etc.

- 1/1.2" Progressive Scan CMOS
- Up to 3840 × 2160 resolution
- Min. Illumination: Color: 0.002 Lux @(F1.6, AGC ON), B/W: 0.0002 Lux @(F1.6, AGC ON), 0 Lux with IR
- 25× optical zoom, 16× digital zoom
- 120 dB WDR, 3D DNR, EIS, HLC, Smart IR
- 24 VAC & Hi-PoE
- Up to 500 m IR distance
- Support H.265+/H.265 video compression
- Support Rapid focus
- IP67, IK10 (excluding glass window)
- Support detecting up to 30 faces at the same time. Support detecting, tracking, capturing, grading, selecting of face in motion, and output the best face picture of the face.
- Support vehicle detection (license plate number, vehicle model, and vehicle color recognition)
- Person arming: supports real-time modeling and comparison, arms and tracks predefined persons
- Vehicle arming: supports vehicle detection and license plate recognition, arms and tracks predefined vehicles



▪ Specification

| Camera Module | |
|-----------------------|--|
| Image Sensor | 1/1.2" progressive scan CMOS |
| Min. Illumination | Color: 0.002 Lux @(F1.6, AGC ON), B/W: 0.0002 Lux @(F1.6, AGC ON), 0 Lux with IR |
| Shutter Speed | 1/1 s to 1/30,000 s |
| Slow Shutter | yes |
| Focus | semi-auto, manual, auto |
| Day & Night | ICR |
| Day/Night Switch | day, night, auto, scheduled-switch |
| BLC | yes |
| WDR | 120 dB WDR |
| HLC | yes |
| 3D DNR | yes |
| Defog | yes |
| EIS | Yes. Built-in gyroscope to improve EIS performance. |
| Regional Exposure | yes |
| Regional Focus | yes |
| Image Settings | saturation, brightness, contrast, sharpness |
| White Balance | auto, ATW, sodium lamp, fluorescent lamp, indoor, outdoor, MWB |
| Digital Zoom | 16 × |
| Optical Zoom | 25 × |
| Privacy Mask | up to 24 masks, polygon region, mosaic mask, mask color configurable |
| SNR | ≥ 55 dB |
| General Function | mirror, password protection, video tampering alarm, watermark, IP address filter |
| Optical Defog | yes |
| Lens | |
| Focal Length | 7.5 mm to 187.5 mm, 25 × Optical |
| Zoom Speed | approx. 6.8 s |
| FOV | Horizontal field of view: 60.4° to 3.7° (wide-tele), Vertical field of view: 36.2° to 2.1° (wide-tele), Diagonal field of view: 67.8° to 4.3° (wide-tele) |
| Aperture | F1.6 |
| PTZ | |
| Movement Range (Pan) | 360° |
| Movement Range (Tilt) | -20° to 90° (auto flip) |
| Pan Speed | pan speed: configurable from 0.1° to 210°/s; preset speed: 280°/s |
| Tilt Speed | tilt speed: configurable from 0.1° to 150°/s, preset speed 250°/s |
| Proportional Zoom | yes |
| Presets | 300 |
| Patrol Scan | 8 patrols, up to 32 presets for each patrol |
| Pattern Scan | 4 pattern scans, record time over 10 minutes for each scan |
| Power-off Memory | yes |
| Park Action | preset, pattern scan, patrol scan, auto scan, tilt scan, random scan, frame scan, panorama scan |
| 3D Positioning | yes |
| PTZ Status Display | yes |
| Preset Freezing | yes |
| Scheduled Task | preset, pattern scan, patrol scan, auto scan, tilt scan, random scan, frame scan, panorama scan, dome reboot, dome adjust, aux output |
| Video | |
| Max. Resolution | 3840 × 2160 |
| Main Stream | 50 Hz: 25 fps (3840 × 2160, 2560 × 1440, 1920 × 1080, 1280 × 960, 1280 × 720); 60 Hz: 30 fps (3840 × 2160, 2560 × 1440, 1920 × 1080, 1280 × 960, 1280 × 720), |
| Sub-Stream | 50 Hz: 25 fps (704 × 576, 640 × 480, 352 × 288) 60 Hz: 30 fps (704 × 480, 640 × 480, 352 × 240) |
| Third Stream | 50 Hz: 25 fps (1920 × 1080, 1280 × 960, 1280 × 720, 704 × 576, 640 × 480, 352 × 288) 60 Hz: 30 fps (1920 × 1080, 1280 × 960, 1280 × 720, 704 × 480, 640 × 480, 352 × 240) |
| Video Compression | H.265, H.264, MJPEG |
| Video Bit Rate | 32 Kbps to 16384 Kbps |
| H.264 Type | baseline profile, main profile, high profile |

| | |
|-------------------------|--|
| H.265 Type | main profile |
| H.264+ | yes |
| H.265+ | yes |
| SVC | yes |
| ROI | dynamic face tracking, fixed region, dynamic license plate tracking |
| Audio | |
| Audio Compression | G.711alaw, G.711ulaw, G.722.1, G.726, MP2L2, PCM |
| Audio Bit rate | 64 Kbps (G.711)/16 Kbps (G.722.1)/16 Kbps (G.726)/32 Kbps to 192 Kbps(MP2L2) |
| Smart Features | |
| Face Capture | Support detecting up to 30 faces at the same time. Support detecting, tracking, capturing, grading, selecting of face in motion, and output the best face picture of the face. |
| Face Comparison | yes |
| Road Traffic | Support vehicle detection (license plate number, vehicle model, and vehicle color recognition) |
| Basic Event | motion detection, video tampering alarm, alarm input and output, exception |
| Smart Event | unattended baggage detection, object removal detection, intrusion detection, line crossing detection, region entrance detection, region exiting detection, audio exception detection, vandal-proof alarm |
| Smart Tracking | manual tracking, auto-tracking, event tracking, support patrol tracking among multiple detection scenes |
| Smart Record | ANR, Dual-VCA |
| Alarm Linkage | preset, patrol scan, pattern scan, memory card video recording, alarm output, sending email, notify surveillance center, upload to FTP, NAS video recording |
| Perimeter Protection | Line crossing, intrusion, region entrance, region exiting Support alarm triggering by specified target types (human and vehicle) |
| Network | |
| Network Storage | NAS (NFS, SMB/ CIFS) |
| Protocols | IPv4/IPv6, HTTP, HTTPS, 802.1x, Qos, FTP, SMTP, UPnP, SNMP, DNS, DDNS, NTP, RTSP, RTCP, RTP, TCP/IP, DHCP, PPPoE, UDP, IGMP, ICMP, Bonjour |
| API | Open-ended API, ONVIF (Profile S, Profile G), ISAPI, Hikvision SDK, Third-party management platform, ISUP |
| Simultaneous Live View | Up to 20 channels |
| User/Host | Up to 32 users. 3 levels: Administrator, Operator and User |
| Smooth Streaming | yes |
| Security Measures | Authenticated username and password, MAC address binding, HTTPS encryption, 802.1X authenticated access, IP address filter |
| Client | iVMS-4200, Hik-Connect, HikCentral |
| Web Browser | IE 10+, Chrome 57+, Firefox 52+, Safari 12+ |
| Interface | |
| Communication Interface | RJ45, Self-adaptive 10M/100M Ethernet port |
| On-board Storage | Built-in memory card slot, support Micro SD/Micro SDHC/Micro SDXC, up to 256 GB; NAS (NFS, SMB/ CIFS), ANR |
| Alarm Input | 7 alarm inputs |
| Alarm Output | 2 alarm outputs |
| Audio Input | 1 audio input, 2.0 to 2.4Vp-p, 1k Ohm±10% |
| Audio Output | 1 audio output, line level, impedance: 600 Ω |
| Video Output | 1.0V[p-p]/75Ω, PAL, NTSC, BNC connector |
| RS-485 | HIKVISION, Pelco-P, Pelco-D, self-adaptive |
| Supplement Light | |
| IR Distance | 500 m |
| Smart IR | yes |
| General | |
| Power | 24 VAC (Max. 60 W, including max. 15 W for IR and max. 8 W for heater), PoE 802.3 bt (Max. 51 W, including max. 15 W for IR and max. 8 W for heater) |
| Operating Conditions | Temperature: -40°C to 70°C (-40°F to 158°F), Humidity: ≤ 95% |
| Material | ADC12 |
| Dimensions | Φ 267 mm × 430 mm (Φ 10.51" × 16.93") |
| Weight | Approx. 9.6 kg (21.16 lb.) |

| | |
|---------------------|--|
| Web Client Language | 32 languages: English, Russian, Estonian, Bulgarian, Hungarian, Greek, German, Italian, Czech, Slovak, French, Polish, Dutch, Portuguese, Spanish, Romanian, Danish, Swedish, Norwegian, Finnish, Croatian, Slovenian, Serbian, Turkish, Korean, Traditional Chinese, Thai, Vietnamese, Japanese, Latvian, Lithuanian, Portuguese (Brazil) |
| Approval | |
| Protection | Lightning Protection, Surge Protection and Voltage Transient Protection, ±6kV Line to Gnd, ±3kV Line to Line, IEC61000-4-5, IP67 Standard, IK10 (excluding glass window) |

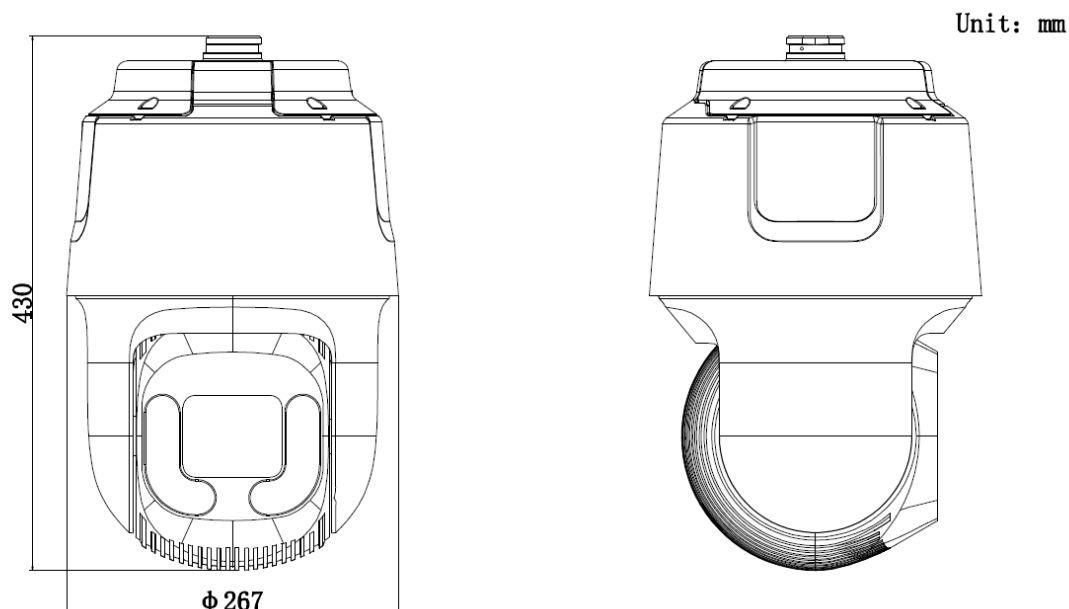
DORI

The DORI (detect, observe, recognize, identify) distance gives the general idea of the camera ability to distinguish persons or objects within its field of view.

It is calculated based on the camera sensor specification and the criteria given by EN 62676-4: 2015.

| DORI | Detect | Observe | Recognize | Identify |
|-----------------|----------------------|---------------------|---------------------|--------------------|
| Definition | 25 px/m | 63 px/m | 125 px/m | 250 px/m |
| Distance (Tele) | 2358.6 m (7738.2 ft) | 936.0 m (3070.9 ft) | 471.7 m (1370.4 ft) | 235.9 m (774.0 ft) |

Dimension



Accessory

Included

Installation adapter



▪ **Optional**

| | | | | |
|---|---|---|--|---|
| DS-1604ZJ-P | DS-1663ZJ-P | DS-1660ZJ-P | DS-1661ZJ-P | DS-1619ZJ-HP2 |
|  |  |  |  |  |
| DS-1662ZJ-P | DS-1667ZJ-P | DS-1682ZJ-P | DS-1604ZJ-Pole-P | DS-1604ZJ-Corner-P |
|  |  |  |  |  |
| DS-1604ZJ-BOX-P | DS-1604ZJ-BOX-CORNER-P | DS-1604ZJ-BOX-POLE-P | LAS60-57CN-RJ45 | HKKD-13002 (EU) A24-5A-950 (USA) MKAC-76-245000 V (UK) |
|  |  |  |  |  |

▪ **Available Model**

DS-2DF8C825IXS-AEL (T2)



Distributed by



HIKVISION®

Headquarters

No.555 Qianmo Road, Binjiang District,
Hangzhou 310051, China
T +86-571-8807-5998
overseasbusiness@hikvision.com

Hikvision USA

T +1-909-895-0400
sales.usa@hikvision.com

Hikvision Australia

T +61-2-8599-4233
salesau@hikvision.com

Hikvision India

T +91-22-28469900
sales@pramahikvision.com

Hikvision Canada

T +1-866-200-6690
sales.canada@hikvision.com

Hikvision Thailand

T +662-275-9949
sales.thailand@hikvision.com

Hikvision Europe

T +31-23-5542770
sales.eu@hikvision.com

Hikvision Italy

T +39-0438-6902
info.it@hikvision.com

Hikvision Brazil

T +55 11 3318-0050
Latam.support@hikvision.com

Hikvision Turkey

T +90 (216)521 7070- 7074
sales.tr@hikvision.com

Hikvision Malaysia

T +601-7652-2413
sales.my@hikvision.com

Hikvision UK & Ireland

T +01628-902140
sales.uk@hikvision.com

Hikvision South Africa

Tel: +27 (10) 0351172
sale.africa@hikvision.com

Hikvision France

T +33(0)1-85-330-450
info.fr@hikvision.com

Hikvision Kazakhstan

T +7-727-9730667
nikia.panfilov@hikvision.ru

Hikvision Vietnam

T +84-974270888
sales.vt@hikvision.com

Hikvision UAE

T +971-4-4432090
salesme@hikvision.com

Hikvision Singapore

T +65-6684-4718
sg@hikvision.com

Hikvision Spain

T +34-91-737-16-55
info.es@hikvision.com

Hikvision Tashkent

T +99-87-1238-9438
uzb@hikvision.ru

Hikvision Hong Kong

T +852-2151-1761
info.hk@hikvision.com

Hikvision Russia

T +7-495-669-67-99
saleru@hikvision.com

Hikvision Korea

T +82-(0)31-731-8817
sales.korea@hikvision.com

Hikvision Poland

T +48-22-460-01-50
info.pl@hikvision.com

Hikvision Indonesia

T +62-21-2933759
Sales.Indonesia@hikvision.com

Hikvision Colombia

sales.colombia@hikvision.com